



H4FE 1000V AC 1000A-2700A

Semiconductor Fuses

半导体保护熔断器



Standard/ 标准: UL 248-13, IEC60269-4, GB/T13539.4

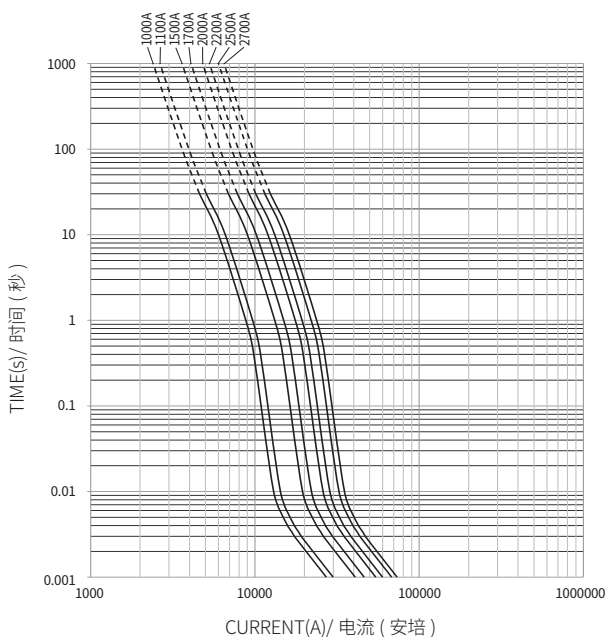
INTERRUPTING CAPACITY/ 分断能力:
100,000 amperes at 1000V AC

TECHNICAL PARAMETERS/ 技术参数:

PART NO. 目录编号		CURRENT RATING 额定电流	SAFETY APPROVALS 安全认证
2 个安装孔位 Four Mounting Holes	4 个安装孔位 Eight Mounting Holes		CCC
H4FEBH1000	H4FEBV1000	H4FEC1000	1000A ●
H4FEBH1100	H4FEBV1100	H4FEC1100	1100A ●
H4FEBH1500	H4FEBV1500	H4FEC1500	1500A ●
H4FEBH1700	H4FEBV1700	H4FEC1700	1700A ●
H4FEBH2000	H4FEBV2000	H4FEC2000	2000A ●
H4FEBH2200	H4FEBV2200	H4FEC2200	2200A ●
H4FEBH2500	H4FEBV2500	H4FEC2500	2500A ●
H4FEBH2700	H4FEBV2700	H4FEC2700	2700A ●

- DENOTES FOR APPROVAL ● 表示已取得安全认证
- DENOTES FOR PENDING ○ 表示正在申请安全认证

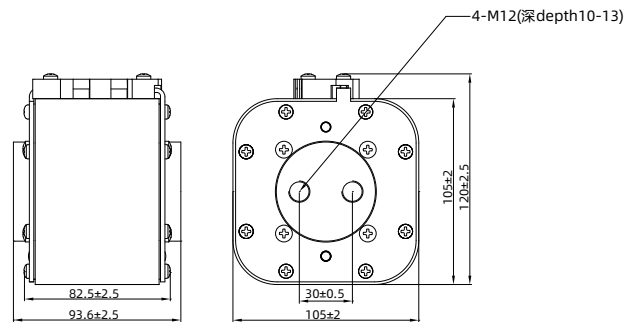
H4FE 1000V 平均 I-T 曲线图 (仅供参考)
H4FE 1000V AVERAGE I-T CHARACTERISTICS CURVE
(FOR REFERENCE)



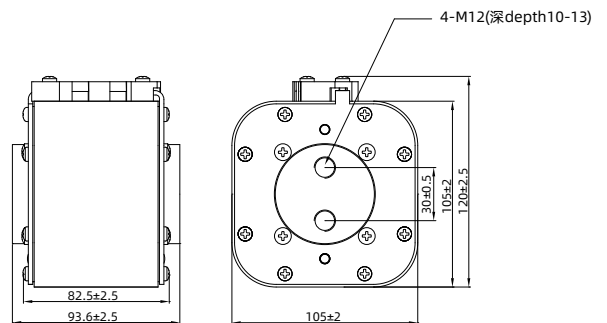
Dimensions/ 尺寸:

Unit 单位: mm

Type:H4FE Part No.: H4FEBH(amp rating)



Type:H4FE Part No.: H4FEBV(amp rating)



Type:H4FE Part No.: H4FEBC(amp rating)

